

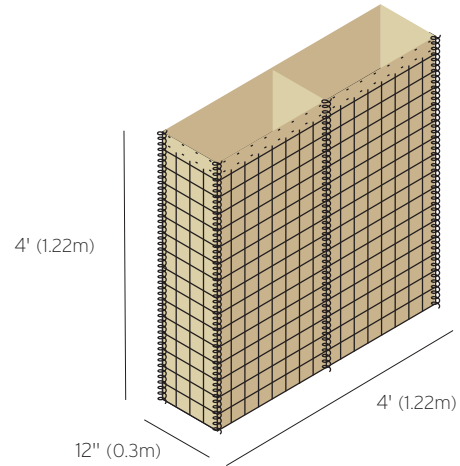
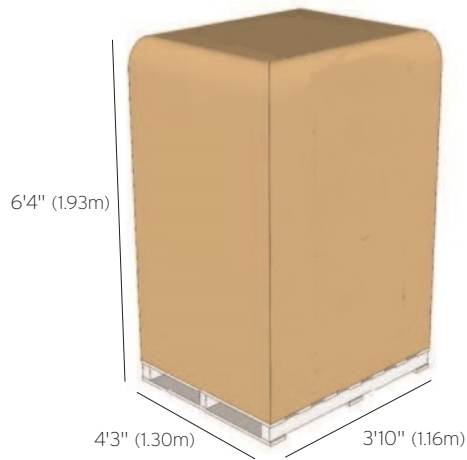
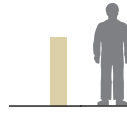
# Defensive Barriers

## Technical Specification Sheet

# PROM11 UNIT

Unit	Height	Width	Length	NSN
MIL11 4812 (Beige)	4' 1.22m	12" 0.30m	4' 1.22m	7195-99-867-9131
MIL11 4812 (Green)	4' 1.22m	12" 0.30m	4' 1.22m	7195-99-668-0875

A geotextile-lined unit for general use as an earth-filled barrier. The units are suitable for filling with earth, sand, gravel, crushed rock and other granular materials. The unit fulfills a wide range of uses, including the construction of protective walls and barriers.



### Flat-packed individual unit dimensions & weights

Height	Width	Length	Weight
3" 0.08m	2'11" 0.89m	4' 1.22m	35lbs 16kg

### Pallet information

Units per pallet	Height	Width	Length	Weight
60	6'4" 1.93m	4'3" 1.30m	3'10" 1.16m	2160lbs 982kg

### Transport Information

Transport Type	Pallets	Units	Deployed Length
13.5m Trailer	18	1080	4322' 1318m
20' Container	8	480	1921' 586m
40' Container	16	960	3842' 1171m